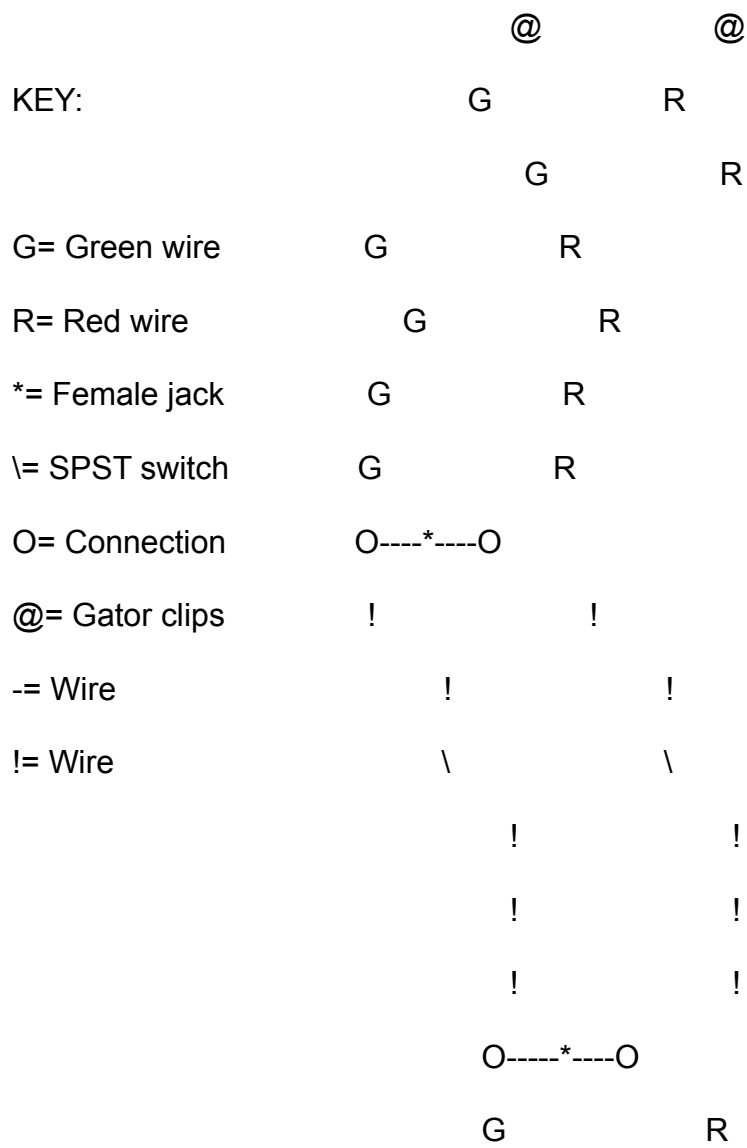


A spool of low resistance wire
 2 female fone jacks
 2 SPST toggle switches
 4 gold plated alligator clips
 A box to put it all in
 Some solder
 A brain

Here's a simple diagram of how it's put together



G	R	
G	R	
G	R	
G	R	
G	R	
@	@	*Schematic was saved

Assemble it as above, and put it in the box, with the toggle switches parallel, and the female jacks mounted on either side of the box. Or, if you don't want to go to the trouble of making it by yourself, you can get one for \$7.50 from DLOC. Ours are encased in a sturdy plastic box, with our logo stenciled on the side, and are very well made. If you want to buy one, contact a DLOC member on one of the boards listed below in this file.

DLOC BOX FUNCTIONS:

Hookup: To hook up the box, plug your fones into the jacks on the box. On mine, the wires are labeled every foot so that I know which trunk I'm on. Clip the appropriate set of clips on the terminals you wish to invade, and then listen/dial through whichever phone is connected. This box has two lines going through it, with an option to conference the two. I added this so if while on Alliance Tele-conferencing, you want to dial an 800,900, 700, or 976 number, you can simply dial it with the other trunk and then conference the two.

Conferencing the two lines: To join the two lines, turn both of the toggle switches to the on position.

Note: Make sure that no phone is connected to the box when you hook up the clips, and also make sure that both switches are turned off.

++PHILE BY PROWLER ON 3/10/88++

Call these fine systems:

Phreak pit.....609/xxx-5194

Ripco.....312/xxx-5020

Nebula.....513/xxx-3135

FUCK 'EM IF THEY CAN'T TAKE A TOKE!